

First Solar FS Series Module Clip Compatibility

Compatibility of Jurchen Technology MK-A C-0002-00 with FS Series Modules

Mounting clips used with First Solar FS Series module laminates must comply with the minimum technical and mechanical requirements for mounting systems required by First Solar (as described in First Solar document PD-5-320). In addition, the clip must satisfy the requirements of the First Solar mechanical load Test according to procedures defined in IEC61646 Ed. 1 10.15/16.

Release of Jurchen Technology MK-A C-0002-00

The Jurchen Technology MK-A C-0002-00 in conjunction with FS Series module laminates has successfully met the First Solar mechanical load test. The proposed mounting system design in conjunction with FS Series module laminates also meets the technical requirements concerning clip design that are specified in document PD-5-320 (see Figure 1 below).

Therefore, the Jurchen Technology MK-A C-0002-00 in conjunction with FS Series module laminates is approved for use as long as the mounting system complies with First Solar's technical and mechanical requirements for mounting systems, as described in document PD-5-320.

Clip Length: 70mm

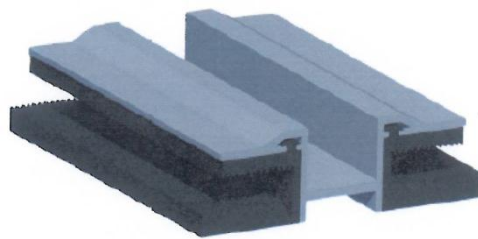


Figure 1: Jurchen Technology MK-A C-0002-00 (Mid Clip)

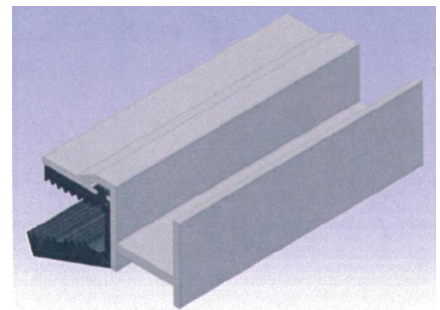


Figure 2: Jurchen Technology MK-A C-0002-00 (End Clip)



Timo Möller
Technical Customer Service Manager EMEA