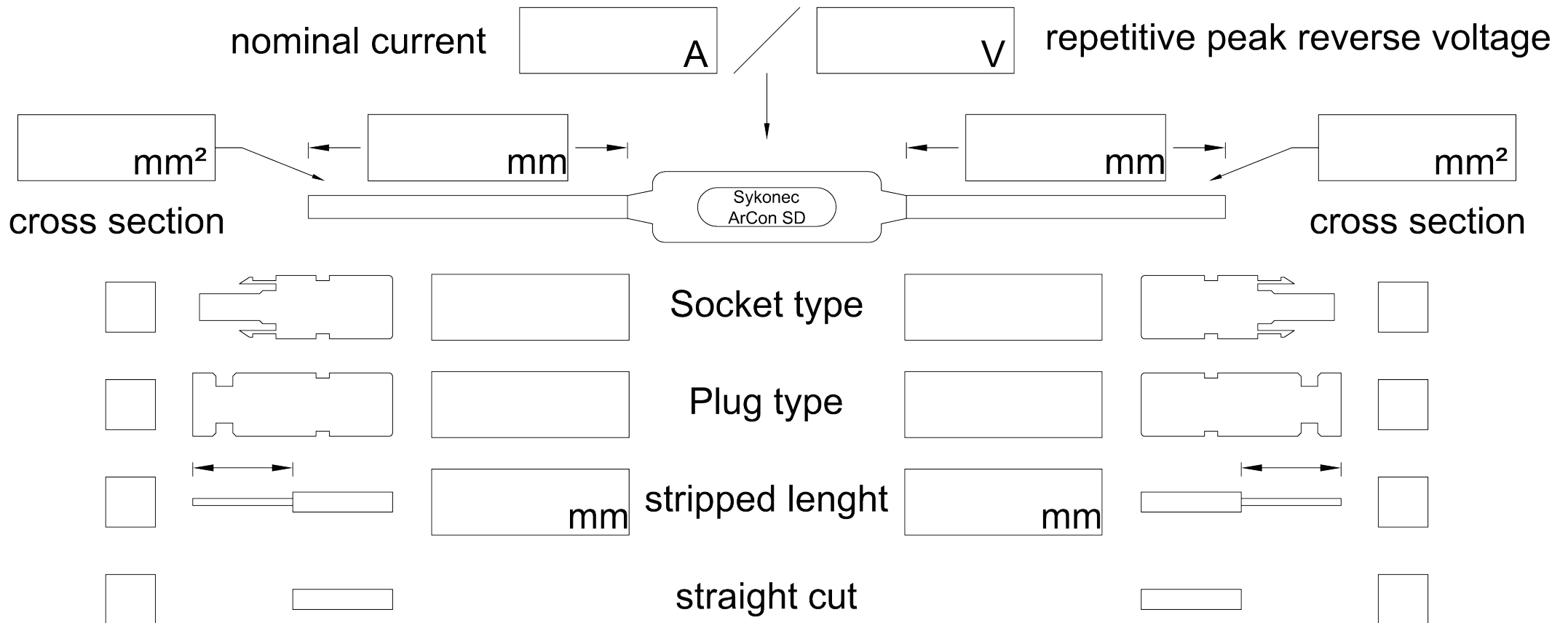
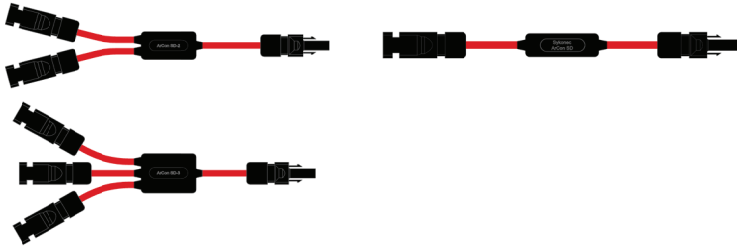


## Configuration diode ArCon SD 1/2



## Configuration diode ArCon SD 2/2



Customer	
Appointment	
Project	
Specifics	

The undersigned declare that, to the best of their knowledge and belief, the information made is correct.

Place, Date, Name

Signature

### Modifications

According to customer specifications, the following modifications had arisen:

Modifications, Date, Name

Signature