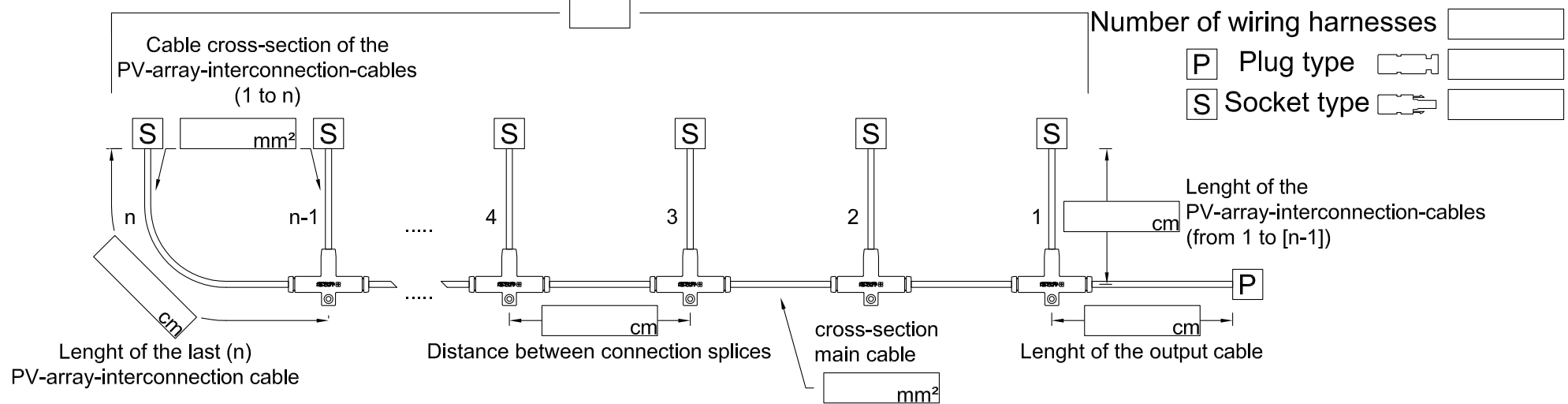
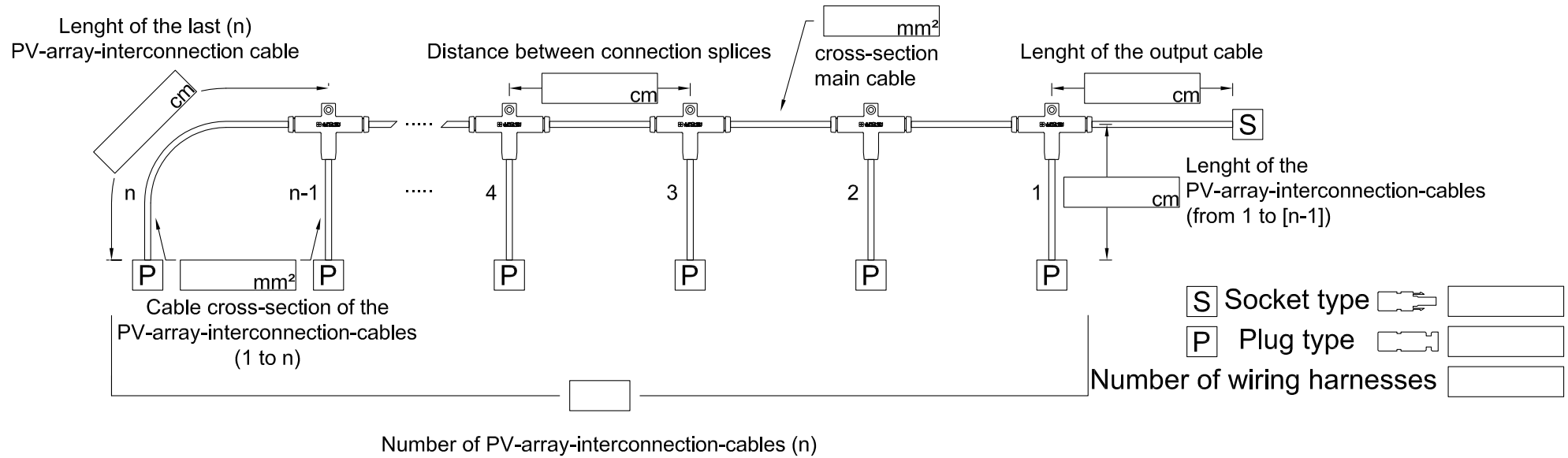


Cable configuration JT-SK-III PV-array-interconnection system 1/2



Cable configuration JT-SK-III PV-array-interconnection system 2/2



Customer	
Appointment	
Project	
Specifics	

The undersigned declare that, to the best of their knowledge and belief, the information made is correct.

Place, Date, Name

Signature

Modifications

According to customer specifications, the following modifications had arisen:

Modifications, Date, Name

Signature