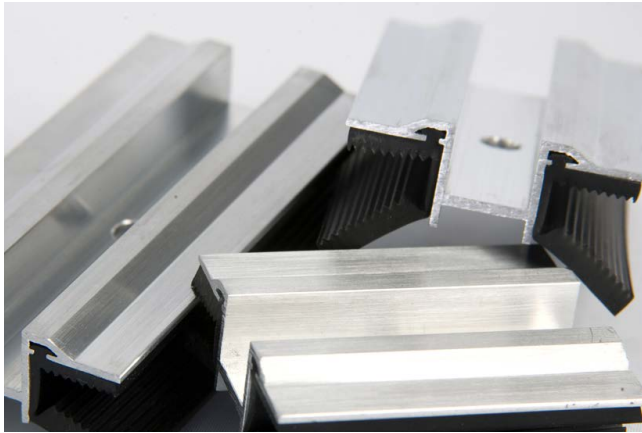


# Module clip MK-A HR

## Typ FS4

For optimal installation: fast, reliable, secure



### Proven millionfold – In operation worldwide under extreme conditions

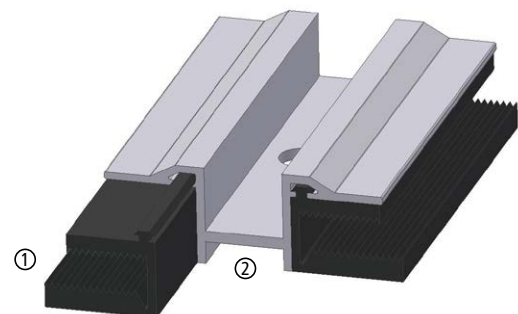
Our **MK-A HR** design results from a close longterm collaboration with distinguished European project installers both for ground-mounts as well as roof-systems. The **MK-A 70 HR** module clip fits seamlessly to the photovoltaic mounting structure of Jurchen Technology and other commercially available standard solutions. This advanced system design ensures a secure hold of the PV module.

The superior concept of the **MK-A 70 HR** design brings benefit starting with installation: The laminates can be installed safely due to the extended lower special developed rubber lip (see image „1“). The central connection point (customised for different screws) and the protection bar below (see image „2“) help avoid too high torques during installation. PV system performance is supported by shade-free screw connection.

During the last years the Jurchen Technology **MK-A 70** module clip has been installed many million times in photovoltaic arrays throughout Europe. The well-thought-out and patented concept has proven its strength.

### Key data

- Patented design with an EPDM rubber for a secure hold of the solar modules
- Resource conservative and compact design
- Practical end stop to prevent module damages
- Highest quality for competitive pricing
- Optional anti-theft system
- Certified by First Solar®



- ① The extended lower special developed EPDM rubber lip guarantees an easy and secure installation.
- ② Practical protection bar to avoid extreme torsional moments..

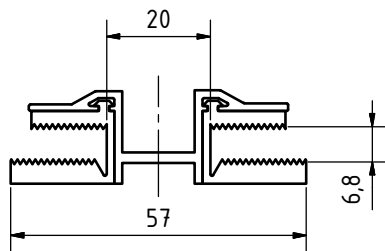


# Technical data MK-A HR Typ FS4

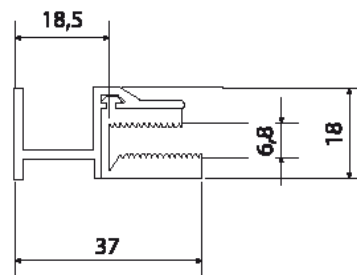
Module clip MK-A HR	MK-A HR 80-7 Item number: 06006165	MK-A HR 80-9 Item number: 06006192
Hole diameter Ø suitable for	<b>M6</b>	<b>M8</b>
Available length of the module clip*	80 mm	80mm
Possible module types	First Solar® module series FS2, FS3 and <b>FS4</b>	First Solar® module series FS2, FS3 and FS4
Utilizable for the following laminate thickness	6.8 mm (± 0.1 mm)	6.8 mm (± 0.1 mm)
Main casting material	Aluminum, weatherproof	Aluminum, weatherproof
Insert material	EPDM, UV-resistant and weatherproof Electrical resistance > 1x10 <sup>14</sup> Ohm * cm	EPDM, UV-resistant and weatherproof Electrical resistance > 1x10 <sup>14</sup> Ohm * cm
Shore hardness	55 Shore A ± 5 in the mounting area	55 Shore A ± 5 in the mounting area
Minimum support area	60 mm	60 mm
Usable as an edge clip without additional components	Yes	Yes
Optional anti-theft system	Yes	Yes
Customised lengths available subject to request	Yes	Yes

\*Individual length possible accordingly.

Cross section with dimensions of a MK-A HR M module middle clip:



Cross section with dimensions of a MK-A HR E module end clip:



### Installation of a MK-A HR:

The use as a edge clip is possible without additional components.

